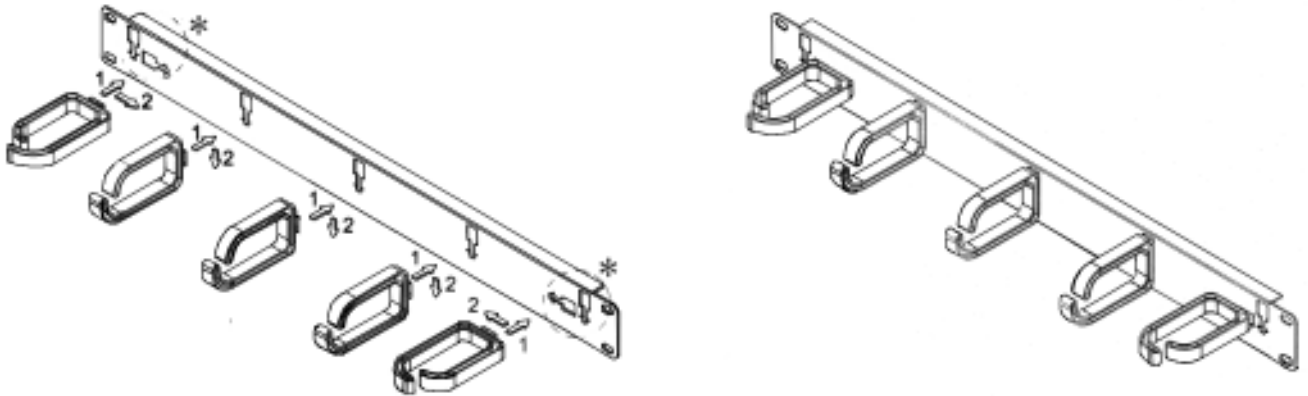
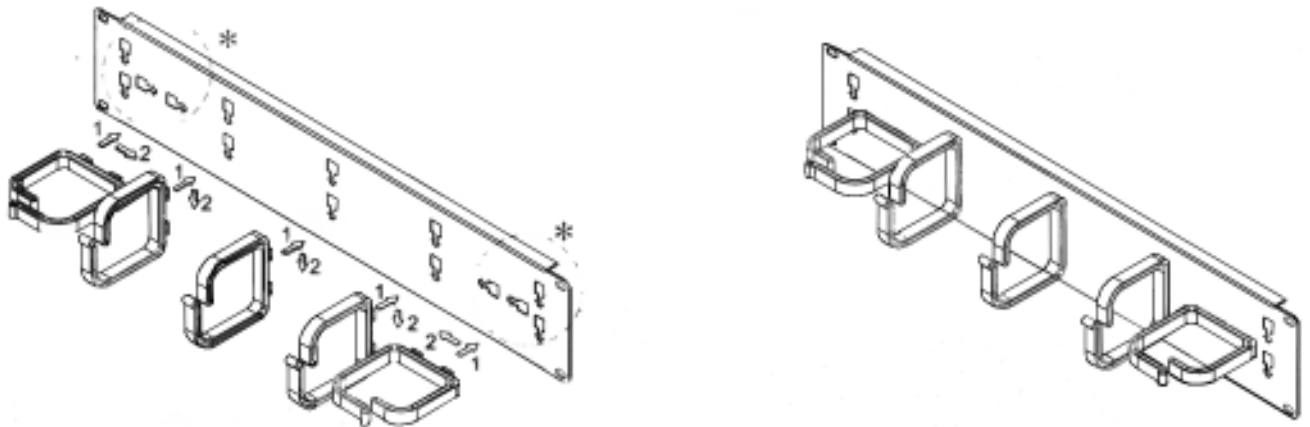


## P4221ABS Cable Management Unit - Assembly Diagram

### 1RU Cable Management Unit



### 2RU Cable Management Unit



1. Push the cable ring into the holes in the panel
2. Slide the ring sideways or downwards to lock it into place

\* The two end cable rings may be positioned either vertically or horizontally by using the appropriate pair of mounting holes.