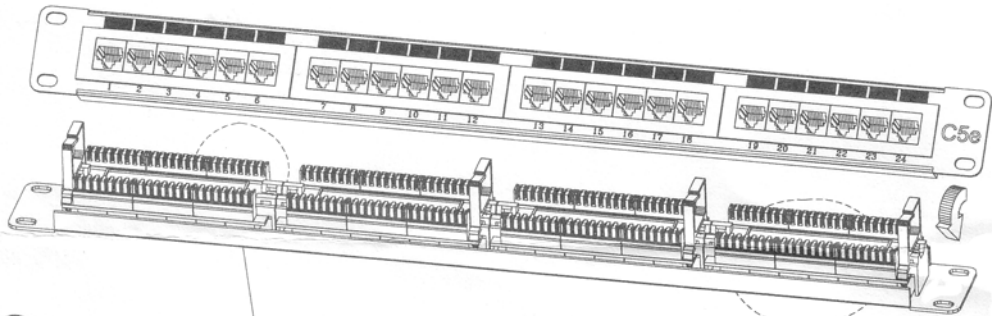
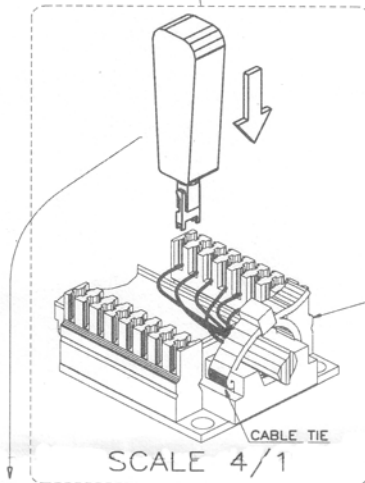


Patch Panel installation guide

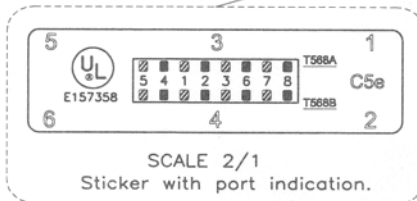
1.



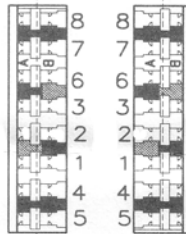
2.



New version 110D terminal block uses either krone or 110 type impact tool.



A:T568A
B:T568B



NEW VERSION
110D CONNECTOR

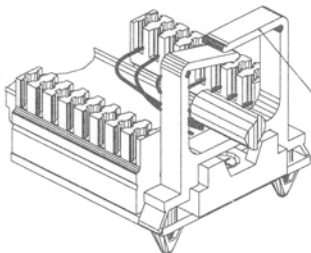
T568A WIRING

- PIN 5 WHITE/BLUE
- PIN 4 BLUE
- PIN 1 WHITE/GREEN
- PIN 2 GREEN
- PIN 3 WHITE/ORANGE
- PIN 6 ORANGE
- PIN 7 WHITE/BROWN
- PIN 8 BROWN

T568B WIRING

- PIN 5 WHITE/BLUE
- PIN 4 BLUE
- PIN 1 WHITE/ORANGE
- PIN 2 ORANGE
- PIN 3 WHITE/GREEN
- PIN 6 GREEN
- PIN 7 WHITE/BROWN
- PIN 8 BROWN

3.



CABLE HOLDER

Six port per module, each module must be with one cable holder.

New version of 110D terminal block cover both wiring of T568A & B to save stock and install convenience.